



Fire Blaze 801 Down Light

GOLDYEAR
Shining Your Life

Specification Sheet

Diameter	75mm
Length	70mm
Input power	7W
Input voltage (Dim)	(AC 220-240V)
Power factor	95%
Switch ON time	0.5 Sec
Dimmable	Yes
Energy class	A+
Equivalent	75W halogen
Brightness	
Warm white (2700K, CRI 92)	630lm
Warm white (3000K, CRI 82)	650lm
Cool white (4000K, CRI 82)	650lm
Available beam angle	24° / 45°
LED brand	CREE
Main materials	Aluminum, Conductive Plastic and Thermal Painting
Lamp housing color	White, Chrome, Nickel

Goldyear Industrial Limited

1F, No. 10, Bai 7th St, QiduDist, Keelung City, Taiwan (20649)

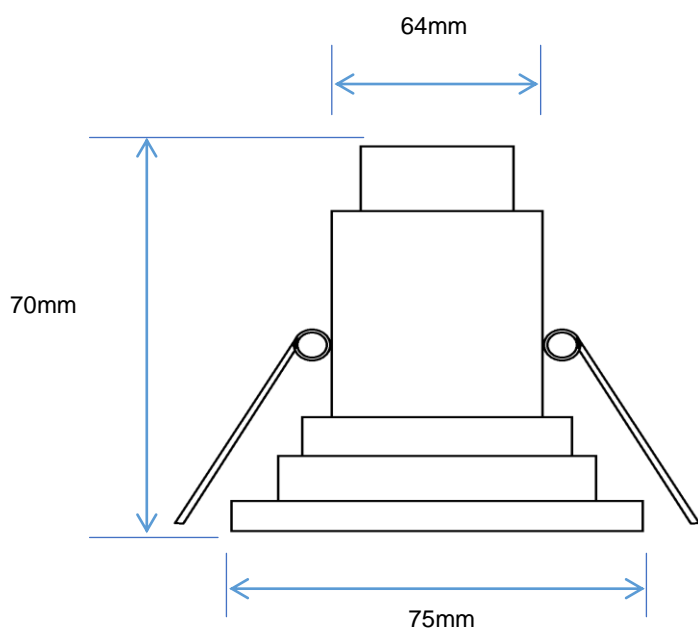
Tel: +886-2-24517468

<http://www.goldyear.net/>

Fire Blaze 801 Down Light

Product Code

Product Code	Watt	Angle	Lumens	Color/CRI	Input
GYFR801RL7WD-24D27K	7W	24°	630lm	2700K / CRI > 92	AC 220-240V
GYFR801RL7WD-24D30K	7W	24°	650lm	3000K / CRI > 82	AC 220-240V
GYFR801RL7WD-24D40K	7W	24°	650lm	4000K / CRI > 82	AC 220-240V
GYFR801RL7WD-45D27K	7W	45°	630lm	2700K / CRI > 92	AC 220-240V
GYFR801RL7WD-45D30K	7W	45°	650lm	3000K / CRI > 82	AC 220-240V
GYFR801RL7WD-45D40K	7W	45°	650lm	4000K / CRI > 82	AC 220-240V



Fixed round

Fire Blaze 801 Down Light



Adjustable round

Product Code	Color/CRI
GYFS801RL7WD-45D27K	2700K / CRI > 92
GYFS801RL7WD-45D30K	3000K / CRI > 82
GYFS801RL7WD-45D40K	4000K / CRI > 82



Fixed square



Adjustable square

Product Code	Color/CRI
GYAS801RL7WD-45D27K	2700K / CRI > 92
GYAS801RL7WD-45D30K	3000K / CRI > 82
GYAS801RL7WD-45D40K	4000K / CRI > 82

Fire Blaze 801 Down Light

Light Cone

2700K CRI >92 24°

m	lux	24°	cm
1	4106.53		21
2	1026.63		42
3	456.28		63
4	256.66		84
5	164.26		105
6	114.07		127
7	83.81		148
8	64.16		169
9	50.70		190
10	41.07		211

3000K CRI >82 24°

m	lux	24°	cm
1	4061.21		21
2	1015.30		42
3	451.25		63
4	253.83		83
5	162.45		104
6	112.81		125
7	82.88		146
8	63.46		167
9	50.14		188
10	40.61		209

4000K CRI >82 24°

m	lux	24°	cm
1	5630.85		23
2	1407.59		45
3	625.59		68
4	251.90		91
5	225.21		113
6	156.40		136
7	114.91		159
8	87.97		181
9	69.51		204
10	56.30		227

2700K CRI >92 45°

m	lux	45°	cm
1	1465.54		38
2	366.39		76
3	162.84		114
4	91.60		151
5	58.62		189
6	40.71		227
7	29.91		265
8	22.90		303
9	18.09		341
10	14.66		379

3000K CRI >82 45°

m	lux	45°	cm
1	1671.97		38
2	417.99		76
3	185.77		114
4	104.50		152
5	66.88		190
6	46.44		228
7	34.12		266
8	26.12		304
9	20.64		342
10	16.72		380

4000K CRI >82 45°

m	lux	45°	cm
1	2470.44		36
2	617.61		72
3	274.49		109
4	154.40		145
5	98.82		181
6	68.62		217
7	50.42		254
8	38.60		290
9	30.50		326
10	24.70		362