



MR16-7W

GOLDYEAR
Shining Your Life

Specification Sheet

Diameter	50mm
Length	58mm
Input power	7W
Input voltage (Low Voltage-Dim / Dim)	(DC 12V / AC 220-240V)
Power factor	95%
Switch ON time	0.5 Sec
Dimmable	Yes
Energy class	A+
Equivalent	75W halogen
Brightness Warm white (2700K, CRI 92) Warm white (3000K, CRI 82) Cool white (4000K, CRI 82)	630lm 650lm 680lm
Available beam angle	24°/45°/60°
LED brand	CREE
Main materials	Aluminum, Conductive Plastic and Thermal Painting

Goldyear Industrial Limited

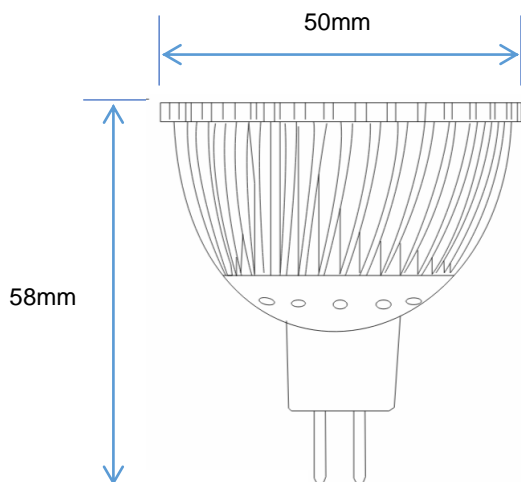
1F, No. 10, Bai 7th St, QiduDist, Keelung City, Taiwan (20649)

Tel: +886-2-24517468

<http://www.goldyear.net/>

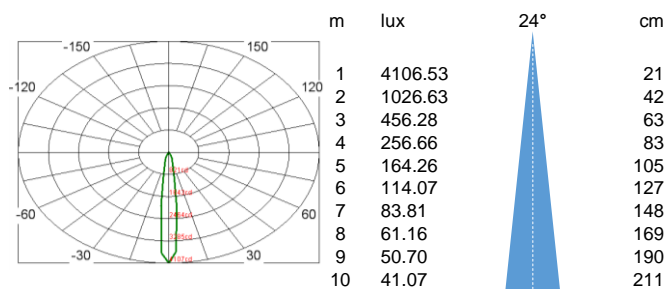
Product Code

Product Code	Watt	Angle	Lumens	Color/CRI	Input
GYMR16RL7WD-24D27K	7W	24°	630lm	2700K / CRI > 92	AC 230-240V
GYMR16RL7WD-24D30K	7W	24°	650lm	3000K / CRI > 82	AC 230-240V
GYMR16RL7WD-24D40K	7W	24°	680lm	4000K / CRI > 82	AC 230-240V
GYMR16RL7WD-45D27K	7W	45°	630lm	2700K / CRI > 92	AC 230-240V
GYMR16RL7WD-45D30K	7W	45°	650lm	3000K / CRI > 82	AC 230-240V
GYMR16RL7WD-45D30K	7W	45°	680lm	4000K / CRI > 82	AC 230-240V
GYMR16RL7WD-60D27K	7W	60°	630lm	2700K / CRI > 92	AC 230-240V
GYMR16RL7WD-60D30K	7W	60°	650lm	3000K / CRI > 82	AC 230-240V
GYMR16RL7WD-60D30K	7W	60°	680lm	4000K / CRI > 82	AC 230-240V

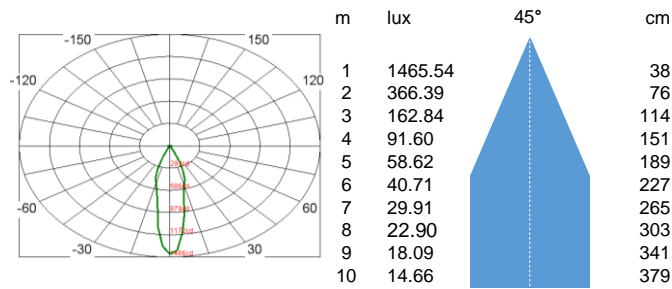


Light Cone.

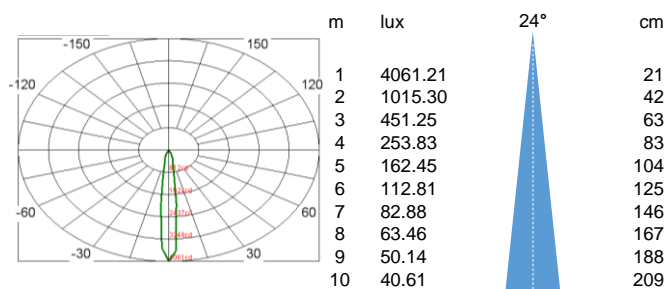
2700K CRI >92 24°



2700K CRI >92 45°



3000K CRI >82 24°



3000K CRI >82 45°

